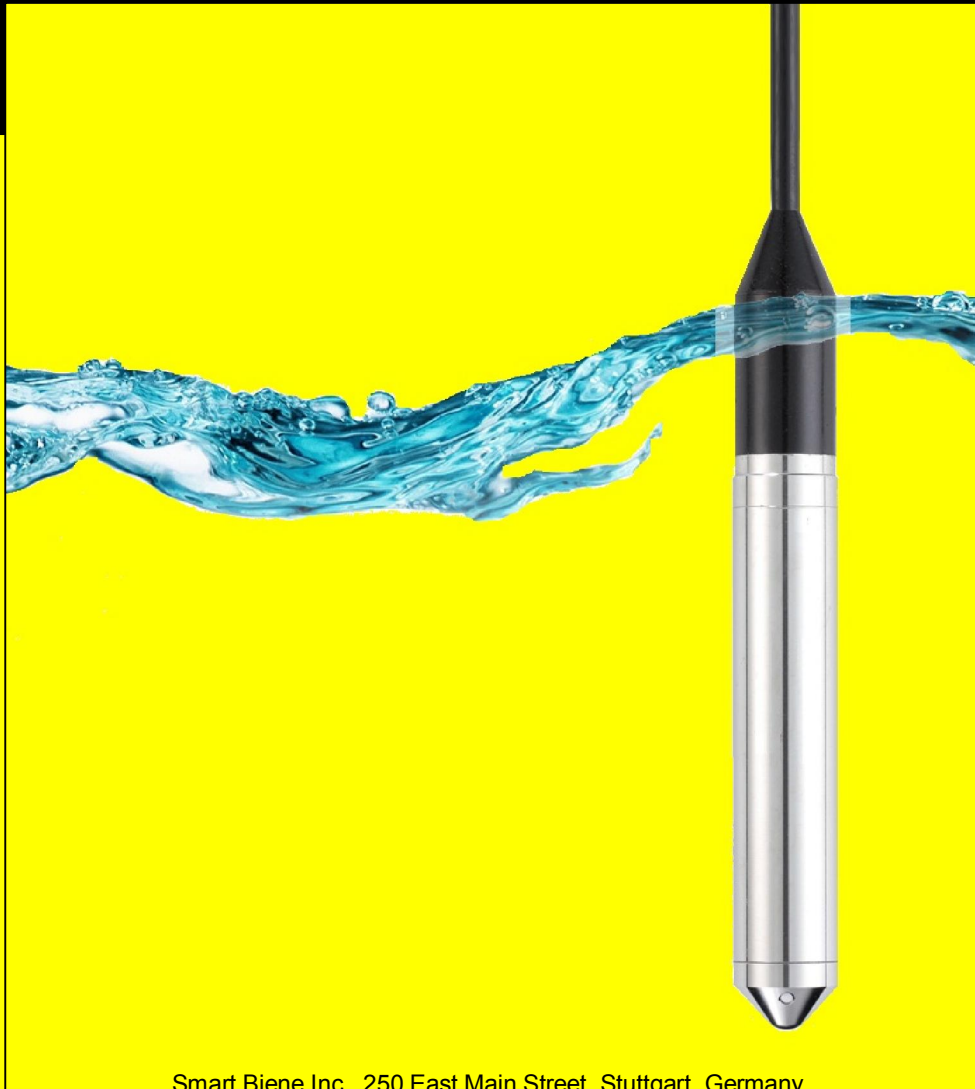


# Hydrostatic Level Transmitter MODEL: SB-HL

## SMART BIENE.



Smart Biene Inc., 250 East Main Street, Stuttgart, Germany.  
Email: [info@smartbiene.com](mailto:info@smartbiene.com)



### DIMENSIONAL DRAWING & INSTALLATION

The suspension cable versions must be mounted in a calm area or in a suitable protective tube. This avoids lateral movements of the transmitter and the resulting distortion of measurement data.

The suspension cable contains, apart from the connection cables and the suspension wire, also the capillaries for atmospheric pressure compensation.

**The following illustrations show mounting examples and measurement setups.**

(All dimensions in mm.)

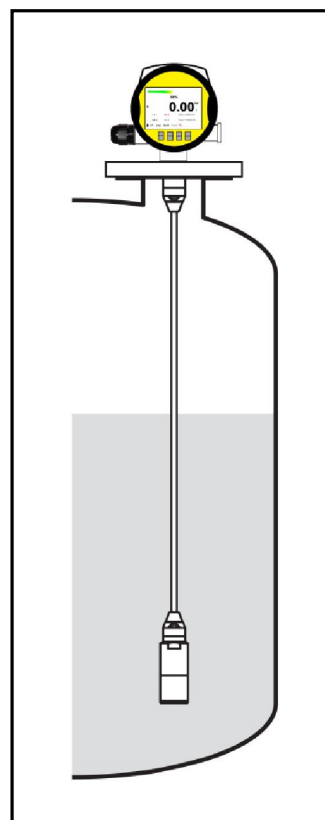


Figure 17 standard Installation of SB-HL

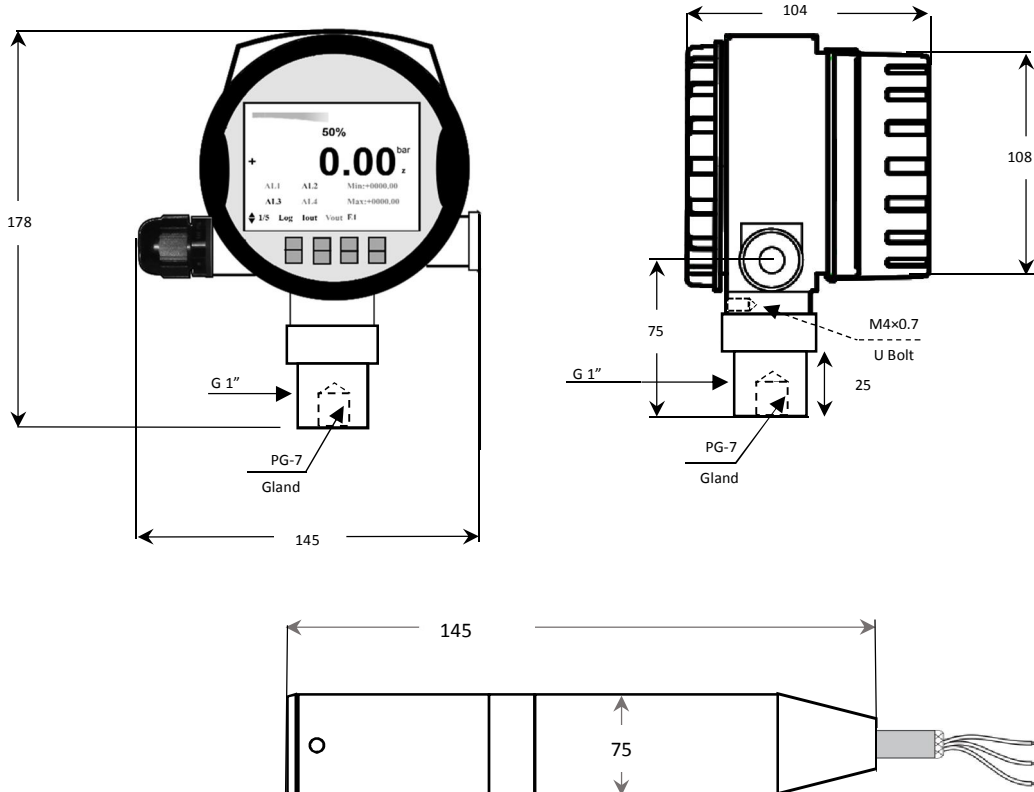


Figure 18 Panel and Sensor Dimensional Drawings- all dimensions in mm.

**WWW.SMARTBIENE.COM**

**Smart Measurement.**

---

All specifications are subject to change without notice.  
All sales subject to standard terms and conditions.  
© Smart Biene Inc. 2012/09/15

Smart Biene Inc., 250 East Main Street, Stuttgart,  
Germany.  
Email: [info@smartbiene.com](mailto:info@smartbiene.com)